



Pneumatic Linear Drives OSPP-BG

BASIC GUIDE

BG 25, BG 32, BG 40

aerospace
climate control
electromechanical
filtration
fluid & gas handling
hydraulics
pneumatics
process control
sealing & shielding



ENGINEERING YOUR SUCCESS.

Pneumatic Linear Drives

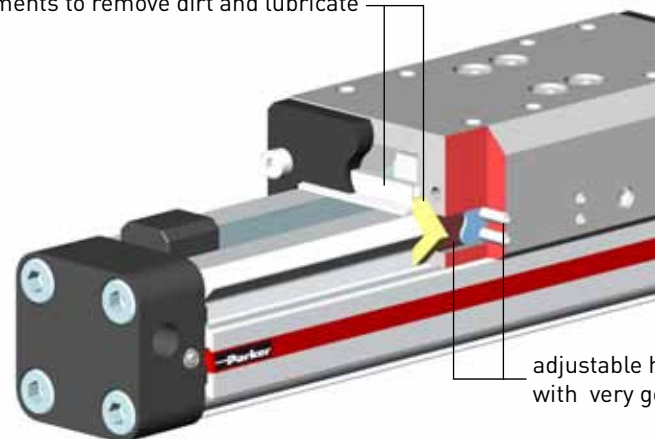
BG 25, BG 32

Features

- compact: guide rail integrated in the cylinder profile
- long lifetime and high service intervals
- high loads and moments
- smooth operation
- integrated scraper system
- integrated grease nipples
- easy to (re-) adjust
simple design => easy to maintain
- piston diameters 25, 32 and 40 mm
- stroke length up to 6,000 mm



composite sealing system with high-tech polymer and felt wiper elements to remove dirt and lubricate the slideways



aluminium guide carriage

integrated grease nipples for easy re-lubrication

T-slot for T-slot switches

dove-tail groove
(for T-slot switches with adapter)

Options:

- stainless steel version
- VITON seals
- slow running version for stick-slip free operation
- ATEX version on request



OSPP BASIC GUIDE BG

2, BG 40 mm



Compact Guide Carriage

- high loads and moments
- simple to (re-)adjust
- adjustable sliding elements:
re-adjustment without inclination of the guide carriage



Flexible Air Connection

- 4 x 90° rotatable end caps
- air connection can be selected independently from each other
- option: both air connections at one end
- option: air connection on the end face



high-tech polymer slide elements
good abrasion resistance

adjustable high-tech polymer slide elements
with very good abrasion resistance

pressure plate

adjustment screws

T-slot for T-slot switches

Integrated 3/2 Way Valves VOE

- complete compact solution
- optimal control of the Basic Guide
- excellent positioning characteristics
- high piston velocities can be achieved
with max. 3 exhaust ports
- integrated operation indicator
- integrated exhaust throttle valve
- manual override – indexed
- free choice of air connection with
4 x 90° rotating VOE-valves



Accessories

- 5 mm T-slot magnetic switches
can be fitted directly to the profile tube
without projecting edges
- end cap mountings
- mid section supports



Parker Worldwide

Europe, Middle East, Africa

AE – United Arab Emirates,

Dubai
Tel: +971 4 8127100
parker.me@parker.com

AT – Austria, Wiener Neustadt

Tel: +43 (0)2622 23501-0
parker.austria@parker.com

AT – Eastern Europe, Wiener Neustadt

Tel: +43 (0)2622 23501 900
parker.easteurope@parker.com

AZ – Azerbaijan, Baku

Tel: +994 50 2233 458
parker.azerbaijan@parker.com

BE/LU – Belgium, Nivelles

Tel: +32 (0)67 280 900
parker.belgium@parker.com

BY – Belarus, Minsk

Tel: +375 17 209 9399
parker.belarus@parker.com

CH – Switzerland, Etoy

Tel: +41 (0)21 821 87 00
parker.switzerland@parker.com

CZ – Czech Republic, Klecany

Tel: +420 284 083 111
parker.czechrepublic@parker.com

DE – Germany, Kaarst

Tel: +49 (0)2131 4016 0
parker.germany@parker.com

DK – Denmark, Ballerup

Tel: +45 43 56 04 00
parker.denmark@parker.com

ES – Spain, Madrid

Tel: +34 902 330 001
parker.spain@parker.com

FI – Finland, Vantaa

Tel: +358 (0)20 753 2500
parker.finland@parker.com

FR – France, Contamine s/Arve

Tel: +33 (0)4 50 25 80 25
parker.france@parker.com

GR – Greece, Athens

Tel: +30 210 933 6450
parker.greece@parker.com

HU – Hungary, Budapest

Tel: +36 1 220 4155
parker.hungary@parker.com

IE – Ireland, Dublin

Tel: +353 (0)1 466 6370
parker.ireland@parker.com

IT – Italy, Corsico (MI)

Tel: +39 02 45 19 21
parker.italy@parker.com

KZ – Kazakhstan, Almaty

Tel: +7 7272 505 800
parker.easteurope@parker.com

NL – The Netherlands, Oldenzaal

Tel: +31 (0)541 585 000
parker.nl@parker.com

NO – Norway, Asker

Tel: +47 66 75 34 00
parker.norway@parker.com

PL – Poland, Warsaw

Tel: +48 (0)22 573 24 00
parker.poland@parker.com

PT – Portugal, Leca da Palmeira

Tel: +351 22 999 7360
parker.portugal@parker.com

RO – Romania, Bucharest

Tel: +40 21 252 1382
parker.romania@parker.com

RU – Russia, Moscow

Tel: +7 495 645-2156
parker.russia@parker.com

SE – Sweden, Spånga

Tel: +46 (0)8 59 79 50 00
parker.sweden@parker.com

SK – Slovakia, Banská Bystrica

Tel: +421 484 162 252
parker.slovakia@parker.com

SL – Slovenia, Novo Mesto

Tel: +386 7 337 6650
parker.slovenia@parker.com

TR – Turkey, Istanbul

Tel: +90 216 4997081
parker.turkey@parker.com

UA – Ukraine, Kiev

Tel: +380 44 494 2731
parker.ukraine@parker.com

UK – United Kingdom, Warwick

Tel: +44 (0)1926 317 878
parker.uk@parker.com

ZA – South Africa, Kempton Park

Tel: +27 (0)11 961 0700
parker.southafrica@parker.com

North America

CA – Canada, Milton, Ontario

Tel: +1 905 693 3000

US – USA, Cleveland

Tel: +1 216 896 3000

Asia Pacific

AU – Australia, Castle Hill

Tel: +61 (0)2-9634 7777

CN – China, Shanghai

Tel: +86 21 2899 5000

HK – Hong Kong

Tel: +852 2428 8008

IN – India, Mumbai

Tel: +91 22 6513 7081-85

JP – Japan, Tokyo

Tel: +81 (0)3 6408 3901

KR – South Korea, Seoul

Tel: +82 2 559 0400

MY – Malaysia, Shah Alam

Tel: +60 3 7849 0800

NZ – New Zealand, Mt Wellington

Tel: +64 9 574 1744

SG – Singapore

Tel: +65 6887 6300

TH – Thailand, Bangkok

Tel: +662 186 7000-99

TW – Taiwan, Taipei

Tel: +886 2 2298 8987

South America

AR – Argentina, Buenos Aires

Tel: +54 3327 44 4129

BR – Brazil, Sao Jose dos Campos

Tel: +55 800 727 5374

CL – Chile, Santiago

Tel: +56 2 623 1216

MX – Mexico, Apodaca

Tel: +52 81 8156 6000

Parker Hannifin GmbH

Pat-Parker-Platz 1
D-41564 Kaarst (Germany)
Tel: +49 2131 4016-0
Fax: +49 2131 4016-9199
E-Mail: parker.germany@parker.com
Internet: www.parker.com, www.parker-origa.com

